



宏旭

HORNG SHIUH

豎軸式
污水泵浦

WET PIT PUMP



FSP

特點

- 1 泵殼及葉輪深入水中，無需呼水(priming)裝置。
- 2 底盤面積小，不佔場所。
- 3 出水管與軸心保護管分開，柱管內流體無法上升至底盤，揚液無洩漏之虞。
- 4 構造簡單，堅固耐用。
- 5 開放式葉輪，可適用於輸送各種流體。

Features

- 1.As the pump casing and the impeller are submerged under the water, it does not require a priming device.
- 2.With a smaller Base Plate, it will not occupy much space.
- 3.The discharge pipe is separated from the shaft protection tube. It prevents the fluid in the Column Pipe from rising to the Base Plate to avoid the leakage.
- 4.Compact in construction. Robust and durable.
- 5.Semi-open type impeller is suitable for conveying various kinds of fluids.

主要構造

- 1 泵殼
離心渦卷式設計，無填料函裝置，其與柱管之間設支撐軸承裝置。吸入蓋處設濾網，防止異物吸入。
- 2 葉輪
半開放型式，附有背葉，有效降低軸向推力。
- 3 軸心
採不銹鋼材料，經精密加工及表面硬化處理，耐磨耗及腐蝕以延長使用壽命。
- 4 柱管及送水管
可隨流體性質使用不同材質之鋼管，採焊接方式可完成製品。
- 5 底盤
長方形之構造用鋼板(或鑄鐵)製品。
- 6 軸承
a.馬達側:
使用重負荷推力承軸，加大設計壽命。使用滑脂(Grease)潤滑。
b.其他:
為特殊合金鋼製品，耐用性佳。使用機油潤滑。
- 7 軸封裝置
a.標準型:
採用高級品之機械軸封。
b.特殊型:
使用填料方式。(部份軸承使用不必潤滑劑之碳精製品)

Main Components

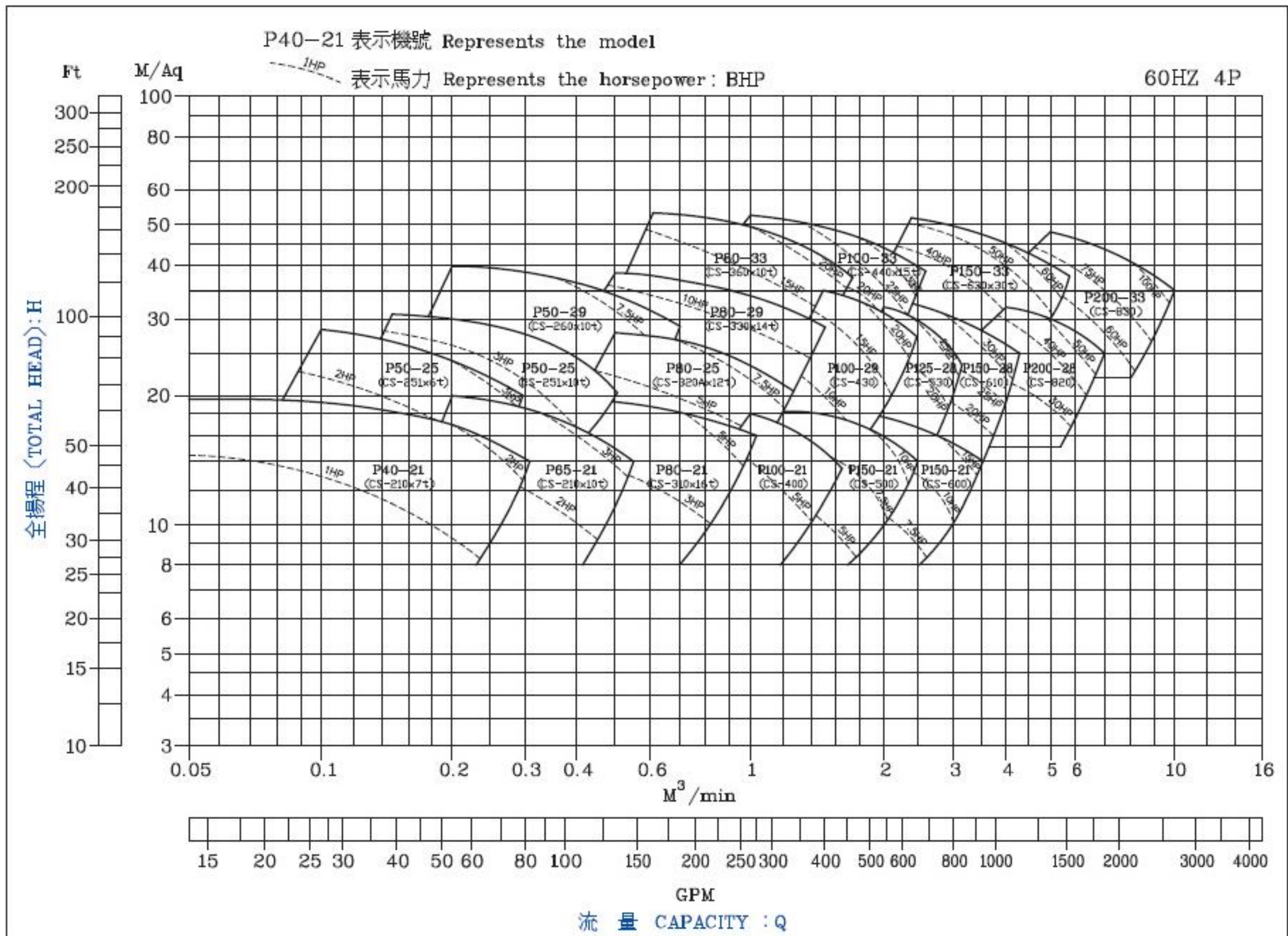
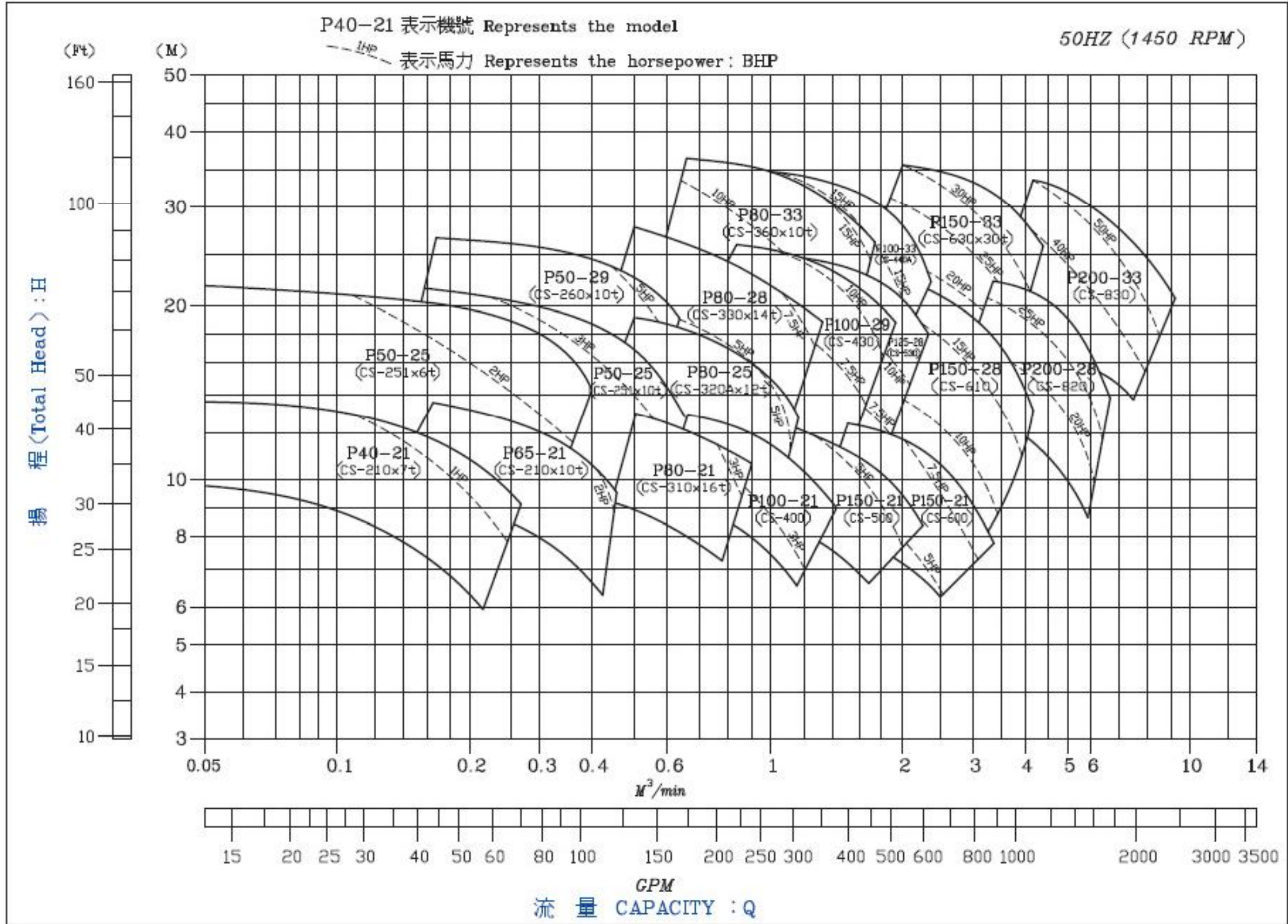
- 1.Pump Casing
Centrifugal volute design saves the need of a gland device. A support bearing is provided between the casing and the Column Pipe. Further, a filter is also mounted at the suction cover to prevent sucking in foreign matter.
- 2.Impeller
Semi-open type. It is configured with Pump-Out Vane to effectively reduce the axial thrust.
- 3.Shaft
Made of stainless steel and treated with precision processing and surface finishing. It provides better performance for resisting against wear and corrosion and for extending service life.
- 4.Column Pipe and Feeding Pipe
Steel pipes fabricated for different materials can be used according to the properties of the fluid. These pipes are fabricated by welding.
- 5.Base Plate
Structural rectangular steel plate (or casting iron)
- 6.Bearings
a.Motor Side:
Mounted with heavy-duty thrust bearings to prolong the design life. Further, it is lubricated with grease.
b.Others:
Fabricated from special alloy steel in presenting better durability and is lubricated with engine oil.
- 7.Shaft Seal
a.Standard type:
Using high-class mechanical seal.
b.Special type:
Uses the gland packing method (some bearings use a carbon product that does not require any lubricant).

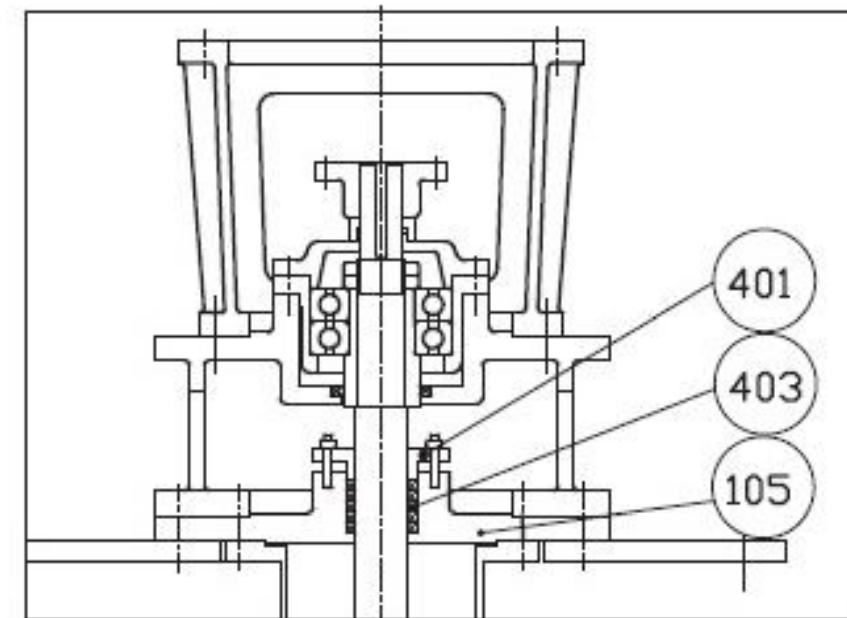
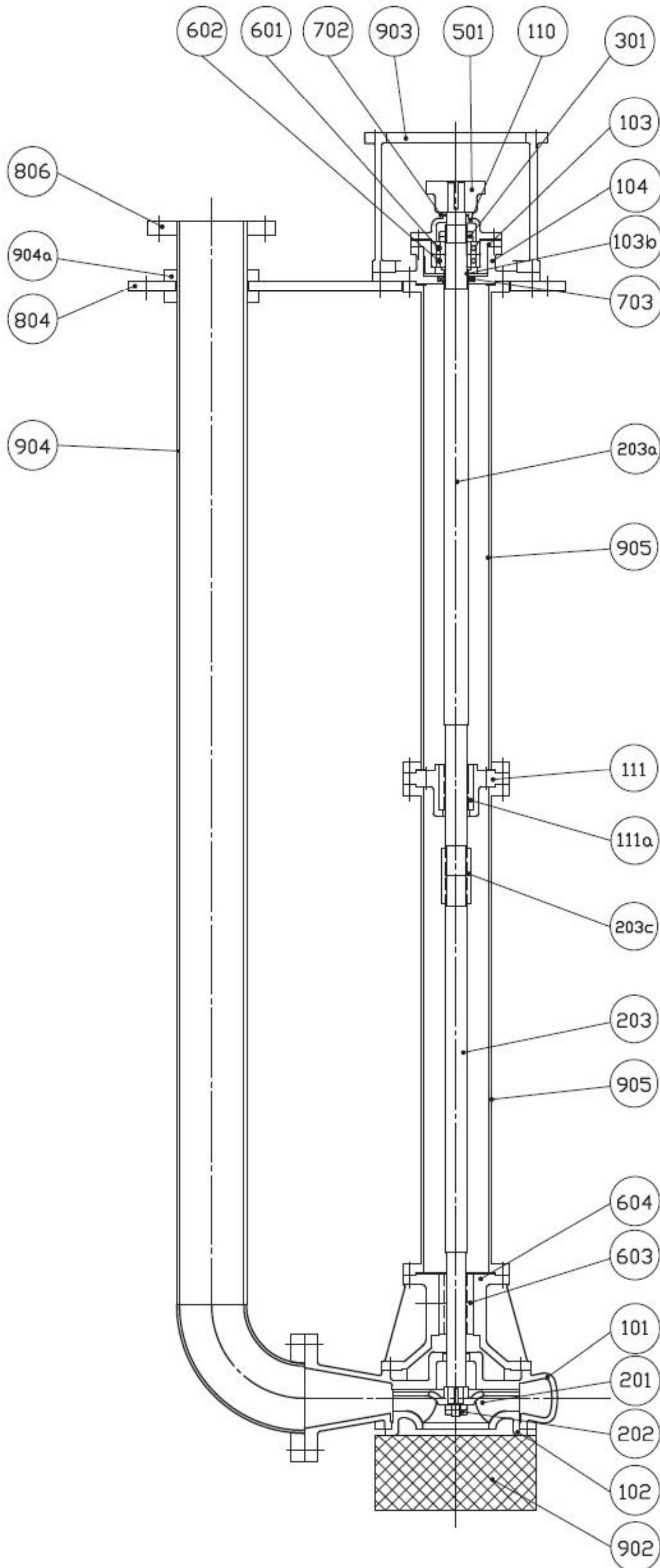
用途

- 1 污水、清水或黏性流體之抽送。
- 2 腐蝕性流體(如醋酸、鹼性溶...等)輸送。
- 3 非常溫液體(如液化氮、硫磺等)抽送。
- 4 揮發性(或危險性)液體(如汽油...等碳化合物)的抽送。

Application

- 1.For pumping slurry, clear water or sticky fluid.
- 2.For conveying corrosive fluid. (e.g. nitric acid, caustic solvent, etc.)
- 3.For pumping extreme temperature liquid. (e.g. liquefied nitrogen, sulfur, etc.)
- 4.For pumping volatile (or hazardous) liquid. (e.g. gasoline, hydrocarbon, etc.)

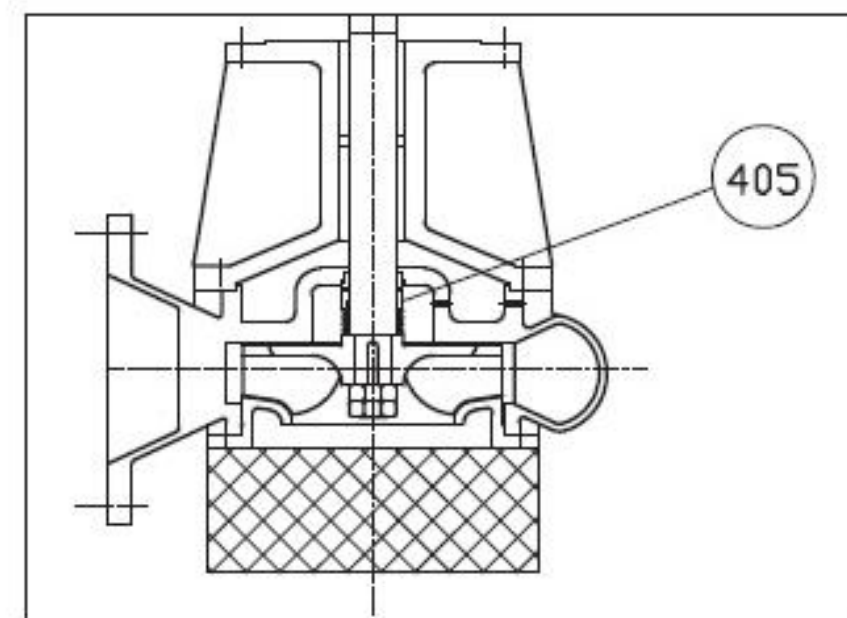




填料型 Gland Packing

註：泵軸潤滑方式— 自身液體潤滑或
外來水潤滑

Pump shaft lubrication method :
Self-liquid lubrication or external
water lubrication

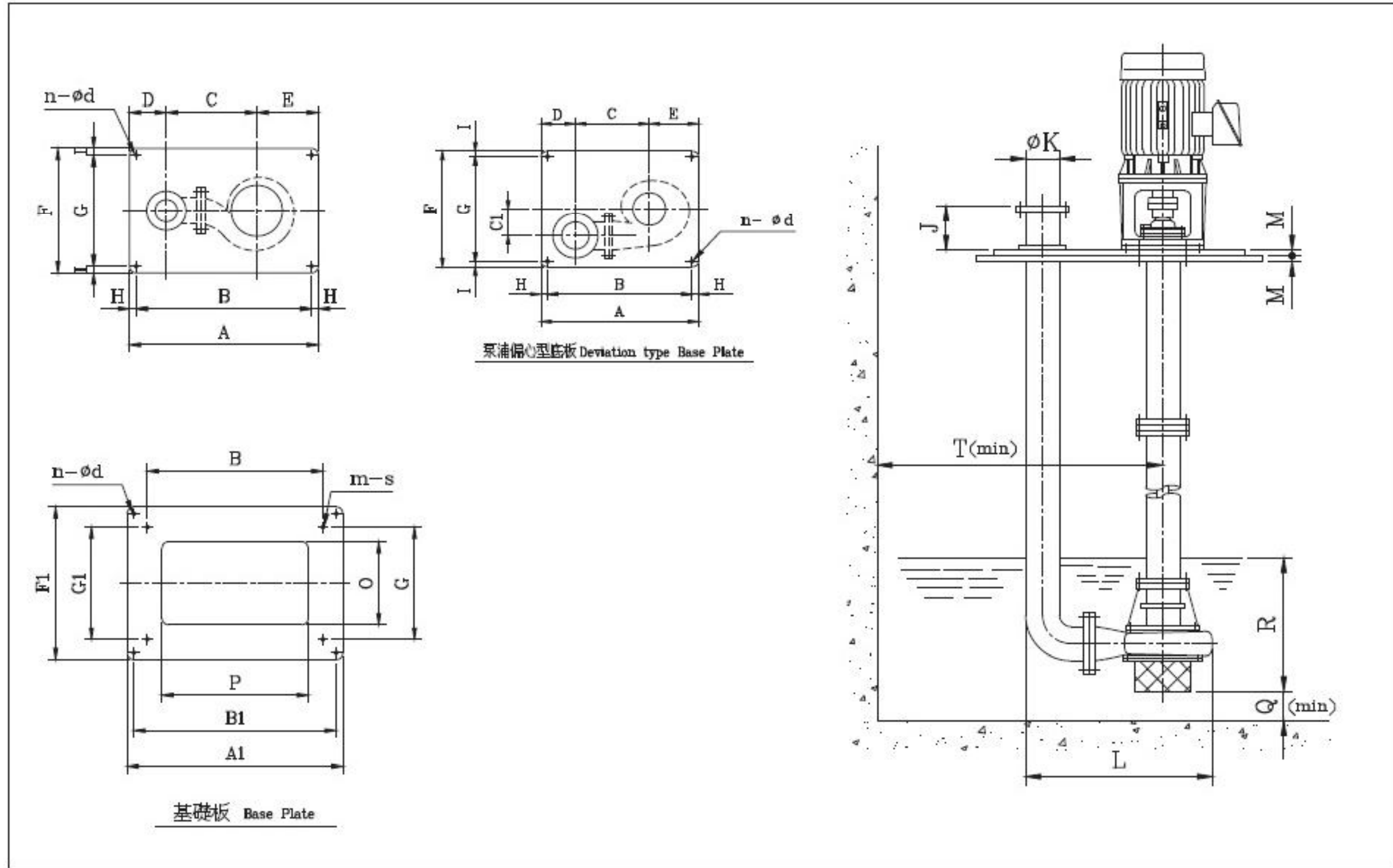


機械軸封型 Mechanical Seal

註 泵軸潤滑方式— 機油潤滑或
外來水潤滑

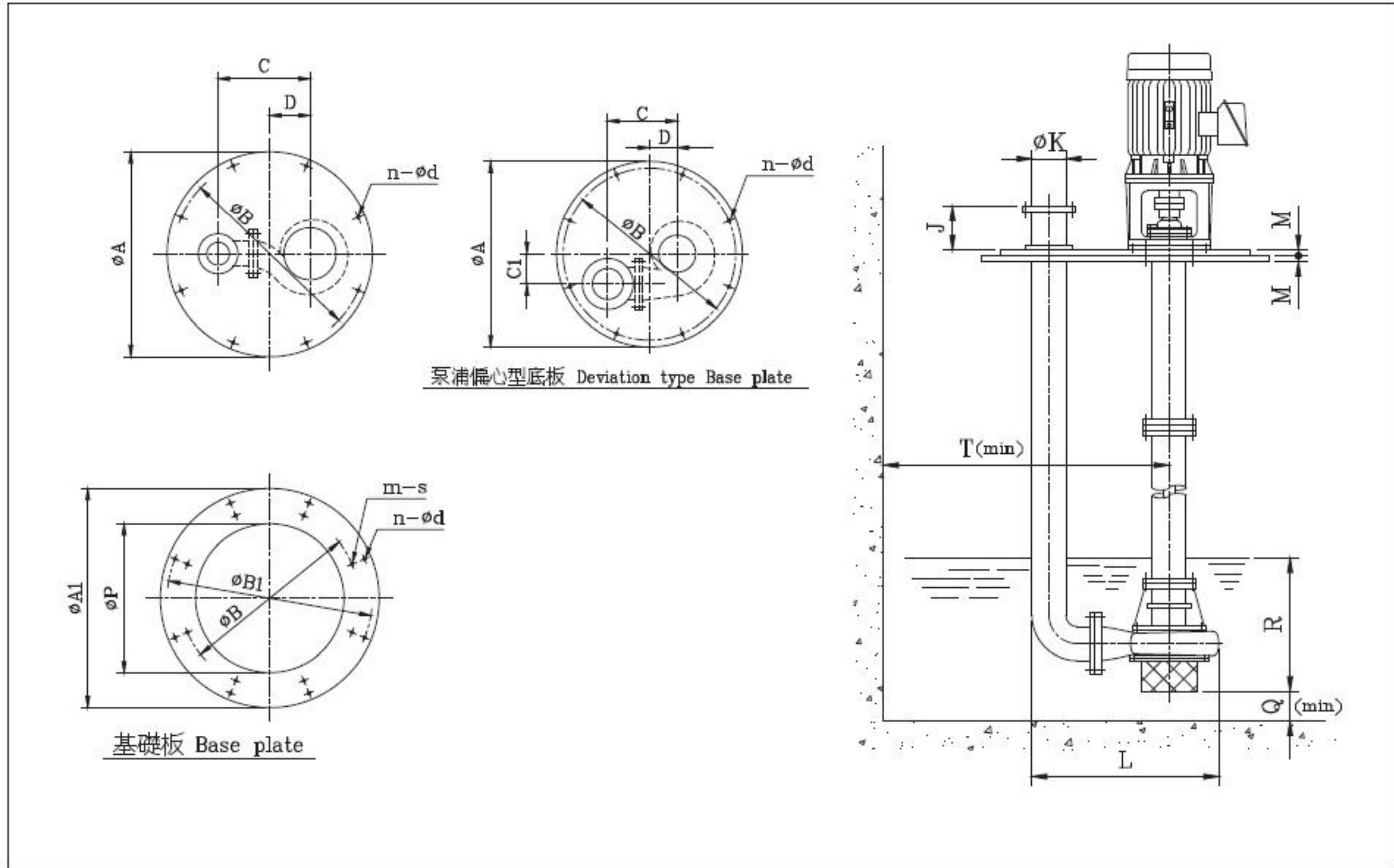
Pump shaft lubrication method :
Engine oil lubrication or external
water lubrication

件號 No.	零件名稱 component.	材質 Material		
		A	B	C
101	泵 殼 Casing	FC200	SCS13A	SCS14A
102	吸 入 殼 Suction Cover	FC200	SCS13A	SCS14A
103	軸 承 箱 Bearing Housing	FC200	FC200	FC200
103b	軸承裡襯 Bearing Block	SS400	SS400	SS400
104	軸 承 座 Bearing Shell	FC200	FC200	FC200
105	填 料 函 Stuffing Box	FC200	SCS13A	SCS14A
110	軸 承 蓋 Bearing End Cover	FC200	FC200	FC200
111	中間托架 Bearing Bracket	FC200	SCS13A	SCS14A
111a	軸 承 Bearing	BC6	BC6	BC6
201	葉 輪 Impellery	FC200	SCS13A	SCS14A
202	固定螺母 Lock Nut	SUS304	SUS304	SUS316
203	泵 軸 Pump Shaft	SUS410	SUS304	SUS316
203a	頂 軸 Column Shaft	SUS410	SUS304	SUS316
203c	軸 接 頭 Shaft Joint	SS400	SS400	SS400
301	螺 帽 Adjusting Nut	SS400	SS400	SS400
401	填 料 蓋 Racking	V#133	V#7133	V#7133
403	填 料 Gland	FC200	SCS13A	SCS14A
405	機械軸封 Mechanical Seal			
501	聯 軸 器 Coupling	FC200	FC200	FC200
601	球 軸 承 Ball Bearing			
602	球 軸 承 Ball Bearing			
603	軸 承 Bearing	BC6	BC6	BC6
604	接 頭 Adapter	FC200	SCS13A	SCS14A
702	擋 水 環 Water Slinger	BC6	BC6	BC6
703	油 封 Oil Seal	Rubber	Rubber	Rubber
804	底 板 Common Base	SS400	SS400	SS400
806	法 蘭 Flange	SS400	SUS304	SUS316
902	濾 網 Strainer	SUS304	SUS304	SUS316
903	馬 達 座 Motor Pedestal	FC200	FC200	FC200
904	揚 水 管 Discharge Pipe	SGP	SUS304	SUS316
904a	固定螺帽 Nut	SS400	SS400	SS400
905	柱 管 Column Pipe	SGP	SUS304	SUS316



豎軸式污水泵浦外型尺寸圖 (Wet Pit Pump Dimension)

型號 Model Code	40-21	50-25	50-29	65-21	80-21	80-25	80-29	80-33	100-21	100-29	100-33	125-28	150-21	150-28	150-33	200-24	200-28	200-33	
機殼內徑 Mechanical seal size	ø30	ø30	ø30	ø30	ø30	ø30	ø30	ø45	ø30	ø30	ø45	ø45	ø30	ø45	ø45	ø45	ø55	ø55	ø55
A	630	700	745	700	760	790	850	925	845	935	970	1095	1030	1180	1225	1000	1055	1140	
A1	750	820	865	820	880	910	970	1045	965	1055	1090	1235	1170	1320	1365	—	—	—	
B	570	640	685	640	700	730	790	865	785	875	910	1015	950	1100	1145	920	975	1060	
B1	690	760	805	760	820	850	910	985	905	995	1030	1155	1090	1240	1285	—	—	—	
C	240	290	325	290	330	345	365	420	405	435	450	510	455	560	580	450	485	490	
C1	—	—	—	—	—	—	—	—	—	—	—	—	—	—	—	196	210	250	
D	140	140	125	145	160	150	185	155	165	185	185	230	260	245	245	250	250	250	
E	250	270	295	265	270	295	300	350	275	315	335	355	315	375	400	300	320	400	
F	505	540	600	520	530	570	645	680	560	640	710	725	680	755	820	850	900	1000	
F1	625	660	720	640	650	690	765	800	680	760	830	865	820	895	960	—	—	—	
G	445	480	540	460	470	510	585	620	500	580	650	645	600	675	740	770	820	920	
G1	565	600	660	580	590	630	705	740	620	700	770	785	740	815	880	—	—	—	
H	30	30	30	30	30	30	30	30	30	30	30	40	40	40	40	40	40	40	
I	30	30	30	30	30	30	30	30	30	30	30	40	40	40	40	40	40	40	
O	315	350	410	330	340	380	455	490	370	450	520	465	420	495	560	—	—	—	
P	440	510	555	510	570	600	660	735	655	745	780	835	770	920	965	—	—	—	
Q	100	100	100	100	100	100	100	100	100	100	100	150	150	150	150	150	150	150	
R	250	250	250	300	350	350	350	350	450	450	450	450	450	450	450	550	550	550	
T	240	290	328	290	325	345	365	420	405	430	450	515	600	600	600	800	800	800	
n-ød	4-15	4-15	4-15	4-15	4-15	4-15	4-15	4-15	4-15	4-15	4-19	4-19	4-19	4-19	4-19	4-23	4-23	4-23	
m-s	4-1/2"	4-1/2"	4-1/2"	4-1/2"	4-1/2"	4-1/2"	4-1/2"	4-1/2"	4-1/2"	4-1/2"	4-5/8"	4-5/8"	4-5/8"	4-5/8"	4-5/8"	4-3/4"	—	—	
øK	40	50	50	65	75	75	75	75	100	100	100	125	150	150	150	200	200	200	
J	100	100	100	100	100	100	100	100	200	200	200	200	200	200	200	250	250	250	
M	15	15	15	15	15	15	15	15	19	19	19	19	19	22	22	22	22	22	
L	400	480	515	475	530	590	620	695	615	705	740	795	730	880	925	790	850	900	



豎軸式污水泵浦外型尺寸圖 (Wet Pit Pump Dimension)

型號 代號 Code	40-21	50-25	50-29	65-21	80-21	80-25	80-29	80-33	100-21	100-29	100-33	125-28	150-21	150-28	150-33	200-24	200-28	200-33
軸封孔徑 Mechanical seal Size	$\phi 30$	$\phi 30$	$\phi 30$	$\phi 30$	$\phi 30$	$\phi 30$	$\phi 30$	$\phi 45$	$\phi 30$	$\phi 30$	$\phi 45$	$\phi 45$	$\phi 30$	$\phi 45$	$\phi 45$ $\phi 55$	$\phi 45$	$\phi 55$	$\phi 55$
ϕA	630	700	745	700	760	790	850	925	845	935	970	1095	1030	1180	1225	960	1055	1140
$\phi A1$	750	820	865	820	880	910	970	1045	965	1055	1090	1235	1170	1320	1365	—	—	—
ϕB	570	640	685	640	700	730	790	865	785	875	910	1015	950	1100	1145	880	975	1060
$\phi B1$	690	760	805	760	820	850	910	985	905	995	1030	1155	1090	1240	1285	—	—	—
C	240	290	325	290	330	345	365	420	405	435	450	510	455	560	580	450	485	490
$C1$	—	—	—	—	—	—	—	—	—	—	—	—	—	—	—	196	210	250
D	140	140	125	145	150	150	185	155	165	185	185	230	260	245	245	250	250	250
ϕP	440	510	555	510	570	600	660	735	655	745	780	835	770	920	965	—	—	—
Q	100	100	100	100	100	100	100	100	100	100	100	150	150	150	150	150	150	150
R	250	250	250	300	350	350	350	350	450	450	450	450	450	450	450	550	550	550
T	240	290	328	290	325	345	365	420	405	430	450	515	600	600	600	800	800	800
$n-\phi d$	8-15	8-15	8-15	8-15	8-15	8-15	8-15	8-15	8-15	8-15	8-19	8-19	8-19	8-19	8-23	8-23	8-23	8-23
$m-s$	8-1/2"	8-1/2"	8-1/2"	8-1/2"	8-1/2"	8-1/2"	8-1/2"	8-1/2"	8-1/2"	8-1/2"	8-5/8"	8-5/8"	8-5/8"	8-5/8"	8-3/4"	—	—	—
ϕK	40	50	50	65	75	75	75	75	100	100	100	125	150	150	150	200	200	200
J	100	100	100	100	100	100	100	100	200	200	200	200	200	200	200	250	250	250
M	15	15	15	15	15	15	15	19	19	19	19	19	19	22	22	22	22	22
L	400	480	515	475	530	590	620	695	615	705	740	795	730	880	925	790	850	870

如蒙洽詢請指示下列各項

Request for information

- 1.液體：_____
- 2.出水量：_____ M³/Min.(US.GPM)
- 3.總揚程：_____ M(ft)
- 4.液體溫度：_____ °C(°F)
- 5.液體黏度：_____
- 6.比重：_____
- 7.酸鹼度：_____
- 8.運轉溫度下之蒸汽壓力：
_____ kg/cm²(PSIA)
- 9.可用之淨有效吸入揚程：_____ M(ft)
- 10.泵浦回轉數：_____ rpm
- 11.額定馬力：_____ KW(HP) _____ Pole
_____ Phase, _____ Hz, _____ volts

When making an enquiry, please indicate the details of the following information:

- 1.Liquid : _____
- 2.Capacity : _____ M³/Min. (US.GPM)
- 3.Total head : _____ M(ft)
- 4.Temperature of Liquid: _____ °C (°F)
- 5.Viscosity of Liquid: _____
- 6.Specific Gravity: _____
- 7.PH : _____
- 8.Vapor pressure at operating temperature :
_____ kg/cm²(PSIA)
- 9.NPSH available : _____ M(ft)
- 10.Pump speed : _____ rpm
- 11.Rated Power : _____ KW(HP) _____ Pole
_____ Phase, _____ Hz, _____ volts

主要產品

Main Product Line

一般給水排水泵浦
空調冷凍用泵浦
鍋爐給水高壓泵浦
含固體雜質液輸送泵浦
石化液製程輸送泵浦
酸鹼液輸送泵浦
深水井抽水泵浦

General water supply/drainage pump
Air-conditioning freezing pump
Boiler water supply high-pressure pump
Solid impurities contained liquid conveying pump
Petrochemical liquid process conveying pump
Acid/alkaline liquid conveying pump
Deep well suction pump

THAILAND : THAI PINNACLE ENGINEERING CO.,LTD
8/1 SOI 3-10 PETCHKASEM 77 PETCHKASEM ROAD
NONGKANGPLU NONGKAEM BANGKOK 10160
TEL : (662) 809-8915-8 / FAX : (662) 809-8933
<http://www.thaipinnacle.com>
E-mail : sale@thaipinnacle.com